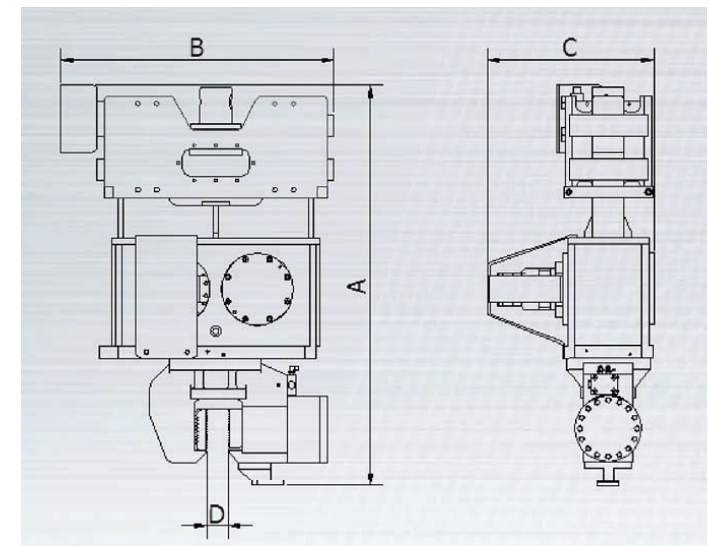


# PILE DRIVER BASIC XTPD SERIES

18 - 36 TONS EXCAVATOR CLASS  
40,000 - 78,000 LBS



- 290 degree rotation for driving and extracting sheetpile, tube and H-beam.
- Great productivity with 2,500 rpm high frequency vibration.
- Easy installation using breaker/hammer hydraulic line.

		XTPD300B	XTD650B	
<b>Eccentric Moment</b>	<i>in.lbs</i>	286	564	
	<i>kgm</i>	3.3	6.5	
<b>Frequency</b>	<i>vpm</i>	2500	2500	
<b>Centrifugal Force</b>	<i>lb</i>	58220	121840	
	<i>kN</i>	259	542	
<b>Amplitude</b>	<i>in</i>	0.34	0.4	
	<i>mm</i>	8.5	10	
<b>Setting Pressure</b>	<i>kg/cm<sup>2</sup></i>	250	250	
	<i>psi</i>	3556	3556	
<b>Oil Quantity</b>	<i>l/min</i>	150	200	
	<i>gpm</i>	40	53	
<b>Dimension</b>	<b>Height (A)</b>	<i>in</i>	58	59
		<i>mm</i>	1480	1494
	<b>Length (B)</b>	<i>in</i>	40	40
		<i>mm</i>	1020	1020
	<b>Width (C)</b>	<i>in</i>	24.5	24.5
		<i>mm</i>	622	622
<b>Clamping Jaw (D)</b>	<i>in</i>	1.57	1.57	
	<i>mm</i>	40	40	
<b>Turning</b>		<i>degree</i>	290	290
<b>Weight</b>	<b>Main Body</b>	<i>lb</i>	2756	2892
		<i>kg</i>	1250	1312
<b>Applicable Excavator</b>		<i>Ton</i>	18~25	26~36